

# One-sectioned, 19” wall-mounted cabinets RBA

P/N: RBA-xx-AS4-CAY-A1

P/N: RBA-xx-AS5-CAY-A1

P/N: RBA-xx-AS6-CAY-A1

## Features

- welded construction with IP30 protection
- hardened smoked glass door (standard)
- front vertical rails freely adjustable in any depth of the cabinet
- rear vertical fixed rails
- frame of the cabinet and all removable parts are connected with earthing cables
- cable openings covered with breakout-type blanking panels located at the top, bottom and rear part of the cabinet
- protective blanking panel with a brush to seal the cabinet opening against dust penetration (1 pc)
- set of M6 screws and captive nuts (8 pcs)



## Product codes

### Front door

RBA-xx-xxx-xAY-A1

A – hardened smoked glass door (standard)

C – solid steel door

L – perforated door

### Color

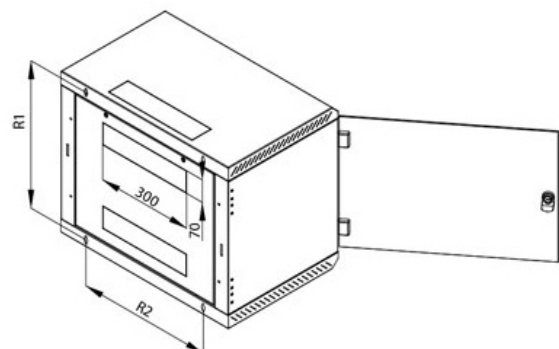
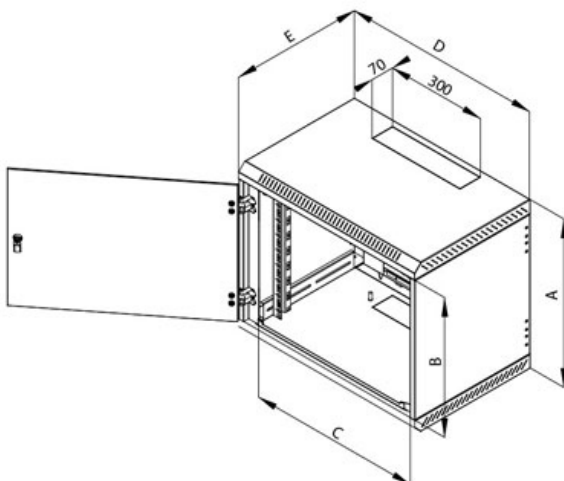
RBA-xx-xxx-xAY-A1

C – gray RAL 7035 (standard)

B – black RAL 9005

### Surface

structured, matte



### Parameters AS4

Depth 395 mm, width 600 mm		A (mm)	B (mm)	C (mm)	D (mm)	E (mm)	weight (kg)	capacity (kg)
<b>4U</b>	P/N: RBA-04-AS4-CAY-A1	280	175	516	600	395	11,7	60
<b>6U</b>	P/N: RBA-06-AS4-CAY-A1	370	265	516	600	395	13,6	60
<b>9U</b>	P/N: RBA-09-AS4-CAY-A1	500	395	516	600	395	16,1	80
<b>12U</b>	P/N: RBA-12-AS4-CAY-A1	635	530	516	600	395	19,1	80
<b>15U</b>	P/N: RBA-15-AS4-CAY-A1	770	665	516	600	395	21,8	100
<b>18U</b>	P/N: RBA-18-AS4-CAY-A1	900	795	516	600	395	24,7	100

### Parameters AS5

Depth 495 mm, width 600 mm		A (mm)	B (mm)	C (mm)	D (mm)	E (mm)	weight (kg)	capacity (kg)
<b>4U</b>	P/N: RBA-04-AS5-CAY-A1	280	175	516	600	495	13,5	60
<b>6U</b>	P/N: RBA-06-AS5-CAY-A1	370	265	516	600	495	15,6	60
<b>9U</b>	P/N: RBA-09-AS5-CAY-A1	500	395	516	600	495	18,4	80
<b>12U</b>	P/N: RBA-12-AS5-CAY-A1	635	530	516	600	495	21,7	80
<b>15U</b>	P/N: RBA-15-AS5-CAY-A1	770	665	516	600	495	24,6	100
<b>18U</b>	P/N: RBA-18-AS5-CAY-A1	900	795	516	600	495	27,7	100

### Parameters AS6

Depth 659 mm, width 600 mm		A (mm)	B (mm)	C (mm)	D (mm)	E (mm)	weight (kg)	capacity (kg)
<b>4U</b>	P/N: RBA-04-AS6-CAY-A1	280	175	516	600	595	15,5	60
<b>6U</b>	P/N: RBA-06-AS6-CAY-A1	370	265	516	600	595	17,7	60
<b>9U</b>	P/N: RBA-09-AS6-CAY-A1	500	395	516	600	595	20,8	80
<b>12U</b>	P/N: RBA-12-AS6-CAY-A1	635	530	516	600	595	24,0	80
<b>15U</b>	P/N: RBA-15-AS6-CAY-A1	770	665	516	600	595	27,2	100
<b>18U</b>	P/N: RBA-18-AS6-CAY-A1	900	795	516	600	595	30,3	100