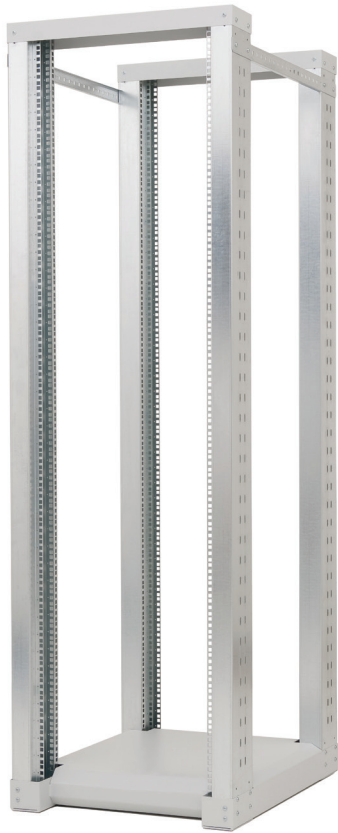
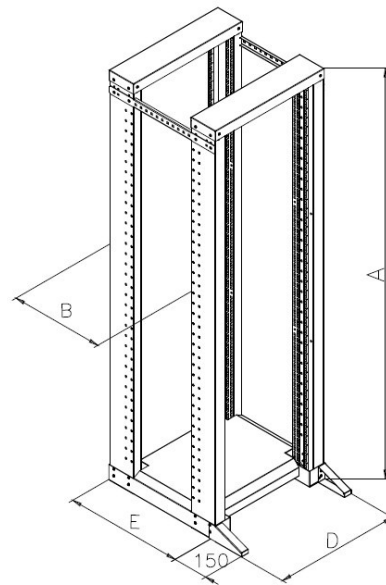


19" double section frame RSX



features

- demountable steel construction
- nivelation feet (standard)
- castors RAX-MS-X81-X1 available upon request



Base dimensions	600 x 800 mm
Color	gray RAL7035
Surface	structured, matt

		A (mm)	B (mm)	D (mm)	E (mm)	weight (kg)	capacity (kg)
27U	P/N: RSX-27-XD8-CXX-A1	1365	660	616	800	46,9	400
32U	P/N: RSX-32-XD8-CXX-A1	1587	660	616	800	51,0	400
37U	P/N: RSX-37-XD8-CXX-A1	1809	660	616	800	55,1	400
42U	P/N: RSX-42-XD8-CXX-A1	2031	660	616	800	59,2	400
45U	P/N: RSX-45-XD8-CXX-A1	2165	660	616	800	61,7	400