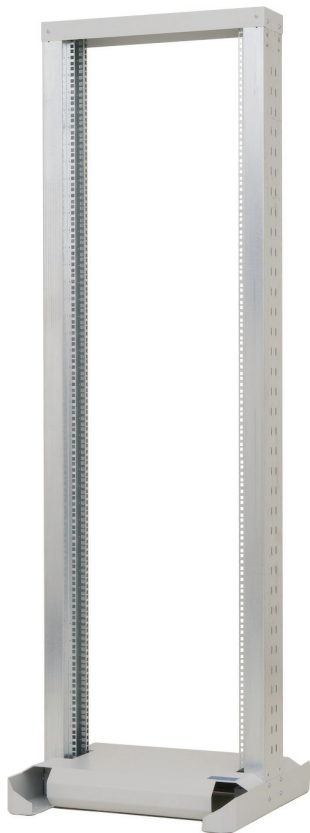
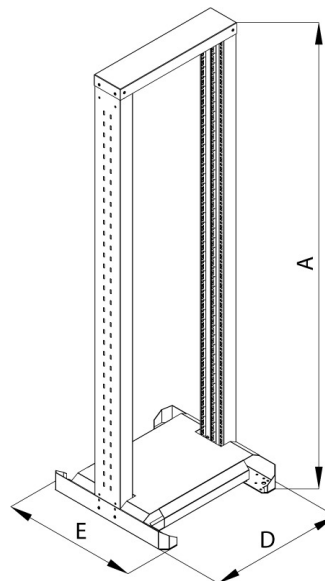


19" single section frame RSX



features

- demountable steel construction
- nivelation feet (standard)
- castors RAX-MS-X81-X1 available upon request



Base dimensions	600 x 600 mm
Color	gray RAL7035
Surface	structured, matt

		A (mm)	B (mm)	D (mm)	E (mm)	weight (kg)	capacity (kg)
27U	P/N: RSX-27-XS6-CXX-A1	1365	-	616	600	27,5	150
32U	P/N: RSX-32-XS6-CXX-A1	1587	-	616	600	29,6	150
37U	P/N: RSX-37-XS6-CXX-A1	1809	-	616	600	31,7	150
42U	P/N: RSX-42-XS6-CXX-A1	2031	-	616	600	33,7	150
45U	P/N: RSX-45-XS6-CXX-A1	2165	-	616	600	35,0	150